



DPP480 Series

480W Single Output
DIN Rail Mount Power Supplies

- Low Cost
- 24 or 48V Outputs
- Wide Range AC Input
- Active PFC
- Parallel Function Switch
- -25 to +71°C Operation

Key Market Segments & Applications

Key Market Segments & Applications

- Industrial Controls: Motor Control Systems
- Factory Automation: Process Control, Automotive, Chemical Processing
- Test & Measurement: Burn in & Test, Instrumentation Measurement

DPP480 Features and Benefits

Features

- PFC Compliant to EN61000-3-2
- UL508 Approvals
- TS35/7.5 or TS35/15 DIN Rail Mounting

Benefits

- Supports Global Use
- Easier System Configuration
- Easy System Integration

Specifications

MODELS		DPP480-24-1	DPP480-48-1
ITEMS			
AC Input Voltage range	VAC	90 - 264VAC	
Input Frequency	Hz	47 - 63Hz	
DC Input Voltage range	VDC	120 - 370VDC	
Inrush Current (115 / 230VAC)	A	25 / 50A	
Power Factor	-	Meets EN61000-3-2 Class A, typ 0.99 at 230VAC input	
Input Current (115/230VAC)	A	7 / 3.5A	
Output Voltage	V	24V	48V
Output Current	A	20A	10A
Output Voltage Adjustment Range	-	22.5 - 28.5V	47 - 56V
Output Voltage Accuracy	%	-0, +1% of Nominal	
Line Regulation	%	±0.5%	
Load Regulation	%	±0.5% (±5% when set in parallel mode)	
Ripple and Noise (20MHz BW)	mV	100mV	
Overcurrent Protection (Typ)	-	120 - 140%	
Overvoltage Protection	V	30 - 33V	57 - 63V
Hold Up Time (115VAC input)	ms	> 30ms	
Efficiency (typ)	%	89%	90%
Parallel operation	-	Set in single or parallel (droop) mode - maximum of 3 units	
LED Indicators	-	Green LED = On, Red LED = DC Output Low	
DC Good Relay (24V model only)	-	0.3A rated normally open relay contacts, closes when output is above 17.6 - 19.4V	
Operating Temperature	--	25 to +71°C (Derate linearly 2.5%/°C from 56 to 71°C) ⁽²⁾	
Storage Temperature	-	-25 to +85°C	
Operating Humidity	-	20 - 95% RH (non condensing)	
Cooling	(1)	Convection	
Withstand Voltage	-	Input to Output 3kVAC for 1 min.	
Isolation Resistance	-	>100M at 25C & 70%RH, Output to Ground 500VDC	
Safety Agency Approvals	-	UL508 Listed, UL60950-1, EN60950-1, CE	
Conducted & Radiated EMI	-	EN55022 class B	
Weight (Typ)	g	1920g	
Size (WxHxD)	mm	175 x 125 x 123	
Case material	-	Metal	
Warranty	yrs	2 years	

Notes:

- (1) Recommend 1" clearance on all sides
- (2) Derating curve applies for input of 110V and above. For 90V input derating at 4% per deg



Model Selector

Model	Output Voltage (V)	Output Adjust (V)	Output Curr. (A)	Max. Output Power (W)	Efficiency at Full Load (%)
DPP480-24-1	24	22.5 - 28.5	20	480	89
DPP480-48-1	48	47.0 - 56.0	10	480	90

For plug type connectors add suffix 'B' to part number

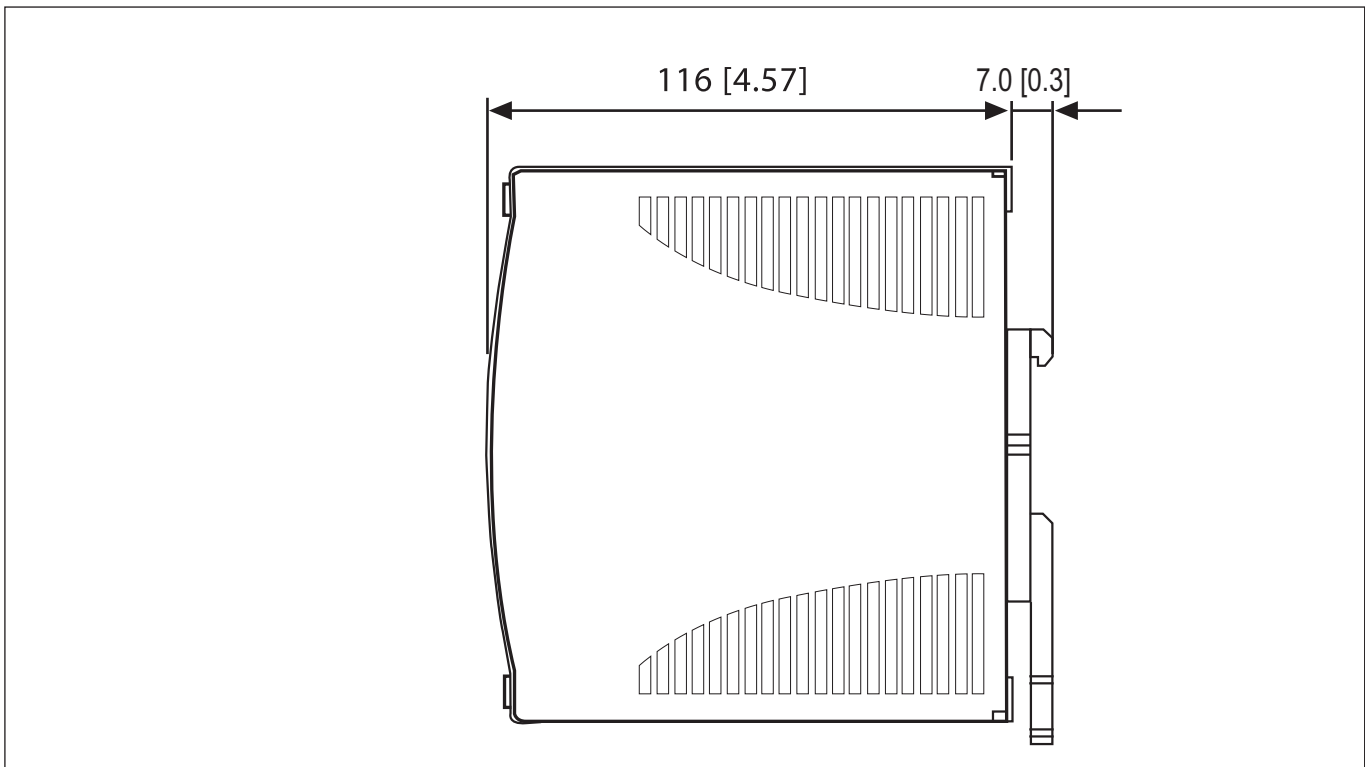
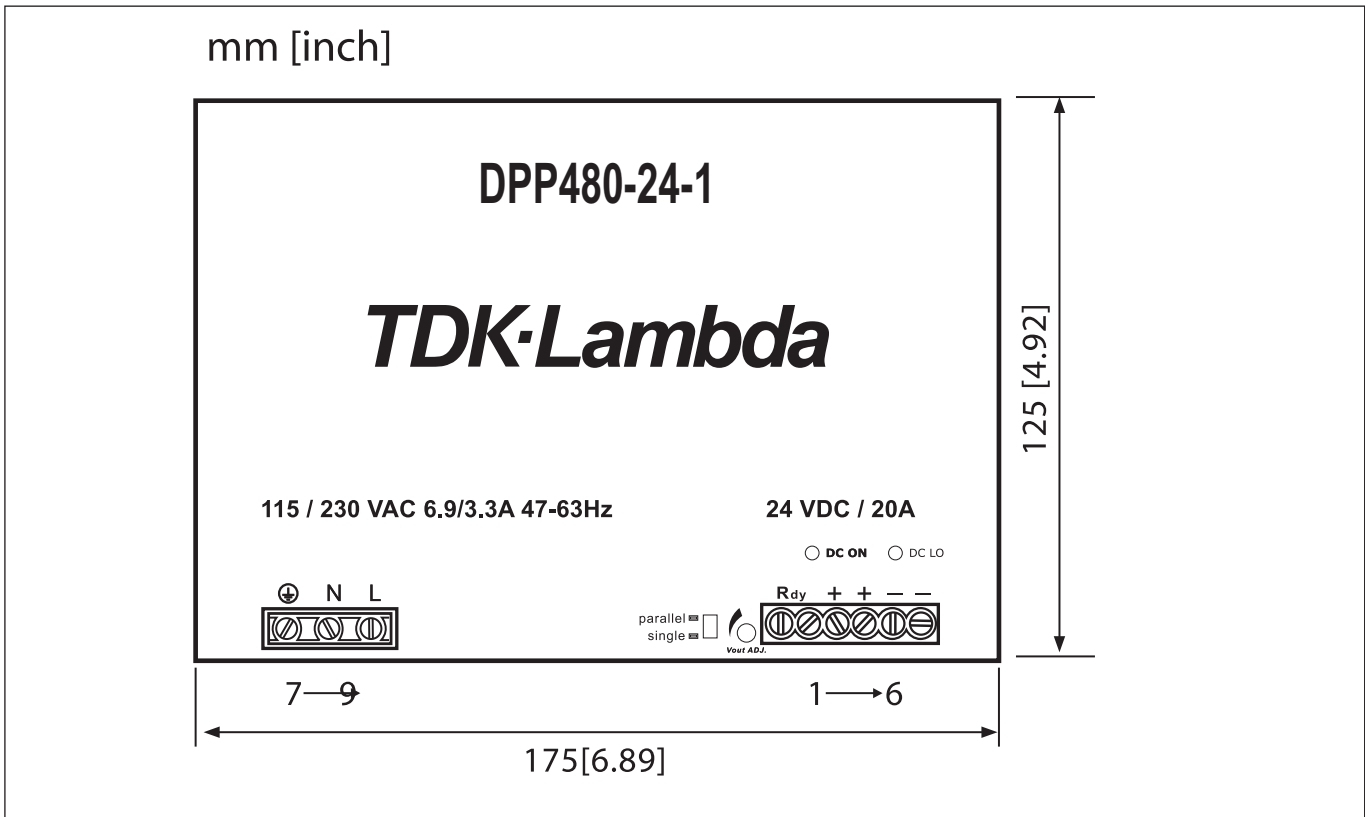
PIN Assignments

Pin#	Function
1	DC Good Relay
2	DC Good Relay
3	V+
4	V+
5	V-
6	V-
7	GND
8	N
9	L

**For full data and drawings please visit
www.emea.tdk-lambda.com/www/dpp**



Outline Drawing DPP480 Series





TDK-LAMBDA EMEA

www.emea-tdk-lambda.com



TDK-Lambda France SAS
 ZAC des Delaches
 BP 1077-Gometz-le-Chatel
 91940 LES ULIS
 France
 Tel: +33 1 60 12 71 65
 Fax: +33 1 60 12 71 66
 france@fr.tdk-lambda.com
 www.fr.tdk-lambda.com



TDK-Lambda Germany GmbH
 Karl-Bold-Strasse 40
 77855 Achem
 Tel: +49 7841 666 0
 Fax: +49 7841 5000
 info.germany@de.tdk-lambda.com
 www.emea.tdk-lambda.com



TDK-Lambda Italy S.r.l.
 Via dei Lavoratori 128/130
 20092 Cinisello Balsamo (MI)
 Italy
 Tel: +39 02 61 29 38 63
 Fax: +39 02 61 29 09 00
 info.italia@it.tdk-lambda.com
 www.it.tdk-lambda.com



TDK-Lambda Austria Sales Office
 Aredstrasse 22
 2544 Leobersdorf
 Tel: +43 2256 655 84
 Fax: +43 2256 645 12
 info.germany@de.tdk-lambda.com
 www.emea.tdk-lambda.com



TDK-Lambda Scandinavia Sales Office
 PO Box 546
 Rallarvägen 41
 184 40 Åkersberga
 Sweden
 Tel: +46 854 084 990
 Fax: +46 854 066 096
 info.germany@de.tdk-lambda.com
 www.emea.tdk-lambda.com



TDK-Lambda UK Ltd.
 Kingsley Avenue
 Ilfracombe
 Devon EX34 8ES
 United Kingdom
 Tel: +44 (0) 12 71 85 66 66
 Fax: +44 (0) 12 71 86 48 94
 powersolutions@uk.tdk-lambda.com
 www.uk.tdk-lambda.com



Nemic Lambda Ltd.
 Kibbutz Givat
 Hashlosha 48800
 Israel
 Tel: +9 723 902 4333
 Fax: +9 723 902 4777
 info@nemic.co.il
 www.nemic.co.il



TDK-Lambda Americas Inc.
 Low Power
 3055 Del Sol Blvd
 San Diego CA 92154
 USA
 Tel: +1 800-LAMBDA-4 or 1-800-526-2324
 Tel: +1 619-575-4400
 Fax: +1 619-429-1011
 www.us.tdk-lambda.com/lp/



TDK-Lambda Corporation
 5F Dempa Bldg. 1-11-15
 Higashi-Gotanda
 Shinagawa-Ku
 Tokyo 141-0022
 Japan
 Tel: +81 3 3447 4693
 Fax: +81 3 3447 4750
 www.tdk-lambda.com

High Power
 405 Essex Road Neptune NJ 07753
 USA
 Tel: +1 732 922 9300
 Fax: +1 732 922 1441
 www.us.tdk-lambda.com/hp/

LOCAL DISTRIBUTION

